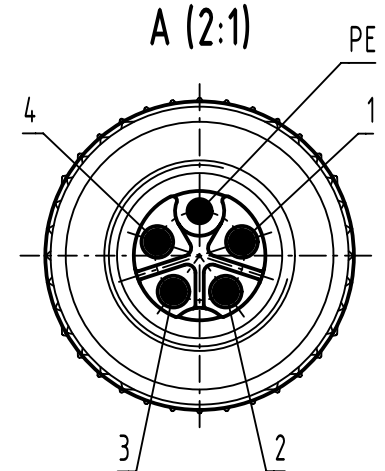
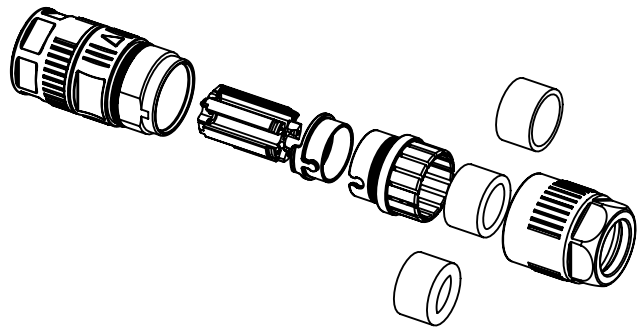


contact face
acc. to IEC 61076-2-111



order contacts separately

cable \varnothing	wire gauge	part number	
		4 x female contact	1 x male contact (PE)
6.6 - 11.6mm	2.5mm ² / AWG14	21 01 100 9940	21 01 100 9938
	1.5mm ² / AWG16	21 01 100 9939	21 01 100 9937
	0.75mm ² / AWG19	21 01 100 9965	21 01 100 9963
	0.5mm ² / AWG20	21 01 100 9964	21 01 100 9962



	All Dimensions in mm Original Size DIN A4	Scale 1:1	Free size tol.		Ref.
	All rights reserved Department EL PD	Created by HASSE	Inspected by FRIESENH	Standardisation SAP_WFRT	Sub.
HARTING D-32339 Espelkamp		Title M12-P-CC-CRIMP-5P-KCOD-F-STR-SHLD			Date 2022-04-13
		Type TB	Number 21038962515		State Final Release
				Doc-Key / ECM-Nr. 100765611/UGD/001/D 500000215753	Rev. D
					Page 1/1